

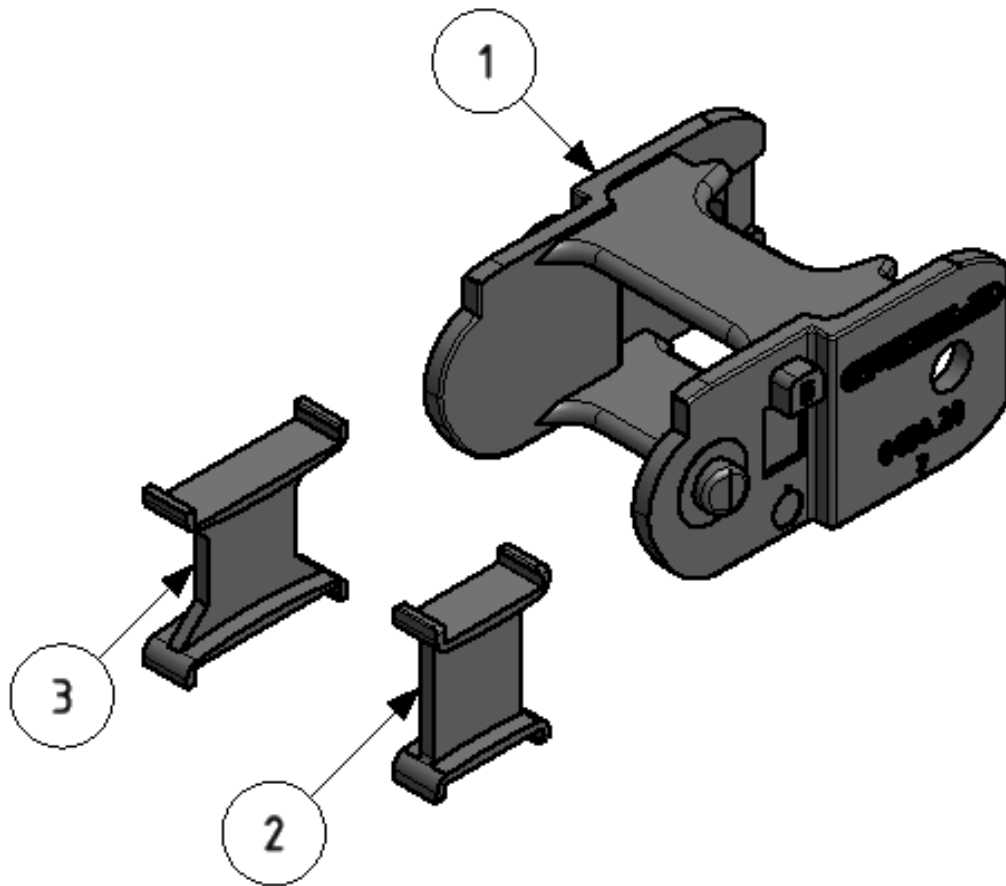
Parts list

BASIC-LINE

Cable carrier MONO 0450

Stay type	page
MONO 0450.X0.....	2
MONO 0450.X1.....	3
MONO 0450.X2/.X4.....	4
Brackets	
Brackets MONO 0450.X0.....	6
Brackets MONO 0450.X1/.X2/.X4.....	7

MONO 0450.X0



Item	Materialtext [remarks]	KR 052	KR 070	KR 094	KR 125	KR 150	KR 200	KR 065/ RKR 065
1 ¹	Chain 0450.10 ²							54970
	Chain 0450.20	55737	55744	55745	55749	55751	55752	
	Chain 0450.40	56950		56956	56962	56964	56965	
	Chain 0450.60	56810		56820	56830	56840	56842	
	Chain 0450.85	57050		57055	57060	57065	57070	

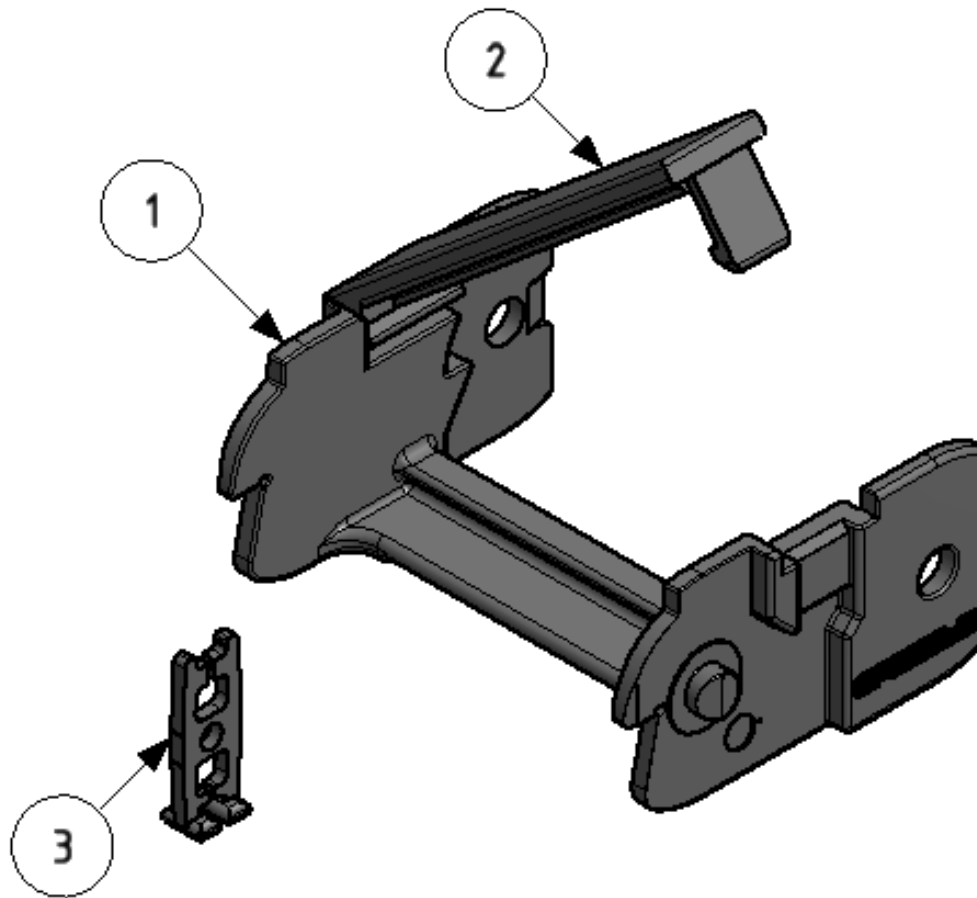
Item	Materialtext [remarks]	Mat.-No.
2	Divider 0450.20/40/60	56725
3	Divider 0450.85	56726

Back to: [content](#)

¹ 1 piece cable carrier consists of 22 chain links = 990mm

² 1 piece cable carrier consists of 17 chain links = 765mm

MONO 0450.X1



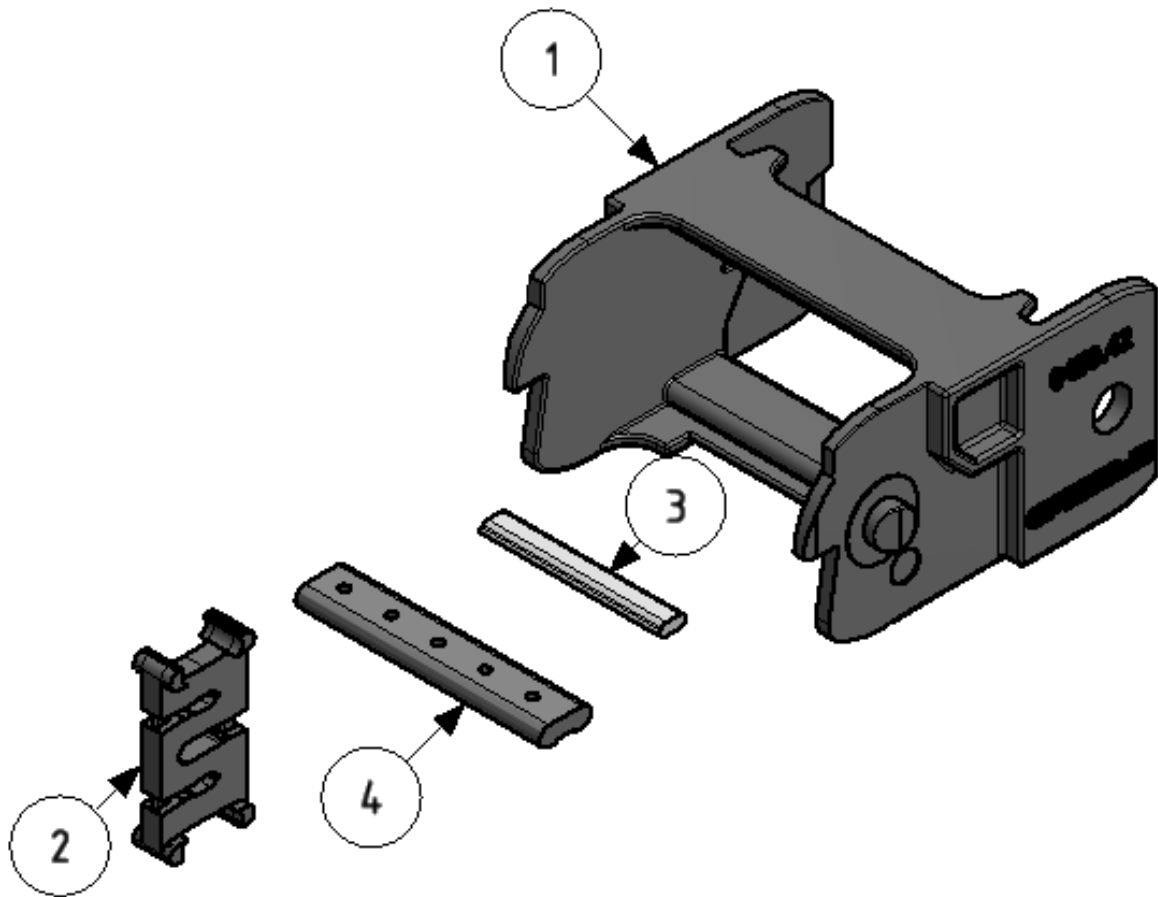
Item	Materialtext [remarks]	KR 052	KR 094	KR 110	KR 125	KR 150	KR 200	KR 052/ RKR 052
1 ¹	Chain 0450.21	58150	58152		58154	58156	58158	58151
	Chain 0450.41	58170	58172	58173	58174	58176	58178	
	Chain 0450.61	58190	58192		58194	58196	58198	
	Chain 0450.81	58120	58121		58122	58123	58124	

Item	Materialtext [remarks]	Mat.-No.
2	Hinged stay 0450.21	56730
	Hinged stay 0450.41	56732
	Hinged stay 0450.61	56734
	Hinged stay 0450.81	58134
3	Divider 0450.21/41/61/81	56720

Back to: [content](#)

¹ 1 piece cable carrier consists of 22 chain links with hinged stay = 990mm

MONO 0450.X2/.X4



Item	Materialtext [remarks]	KR 052	KR 060	KR 075	KR 094	KR 110	KR 125	KR 150	KR 200
1 ¹	Chain 0450.22	56040	56041	56042	56043	56044	56045	56046	56047
	Chain 0450.32	56008	56009	56010	56011	56012	56013	56014	56015
	Chain 0450.42	56060	56061	56062	56063	56064	56065	56066	56067
	Chain 0450.62	56080	56081	56082	56083	56084	56085	56086	56087
	Chain 0450.82	56100	56101	56102	56103	56104	56105	56106	56107

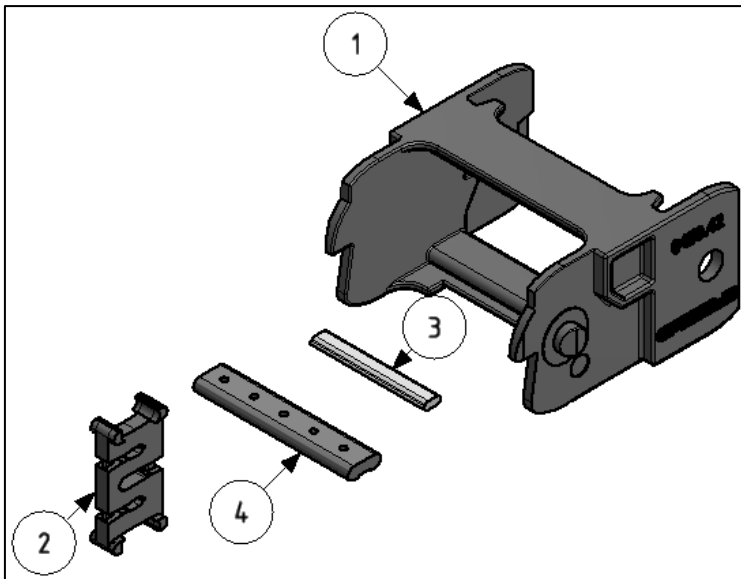
Item	Materialtext [remarks]	Mat.-No.
1 ¹	Chain 0450.62 KR052 RKR52	56097
2	Divider MK/MT0450 w/o nose, encompassing [TS0 – without height separation, TS1 - continuous height separation with flat profile (item3), TS2 – partial height separation with V-profile (item4), wrap around both sided]	71602
3 ²	Flat profile 6 x 2,5 [for continuous height separation with divider (item2)]	5801

Pos.	V-profile ME 0320 [for continuous or partial height separation]								
4	L	16	20	24	28	32	36	40	44
	Mat.-No.	71341	71342	71343	71344	71345	71346	71347	71348
	L	48	52	56	60	64	68	72	76
	Mat.-No.	58270	71349	71350	58271	71351	71352	71353	71354
	L	80	84	88	92	96	100		
Mat.-No.	58272	71355	71356	71357	71358	58273			

¹ 1 piece cable carrier consists of 22 chain links = 990mm

² Length of blank 3m

MONO 0450.X2/.X4

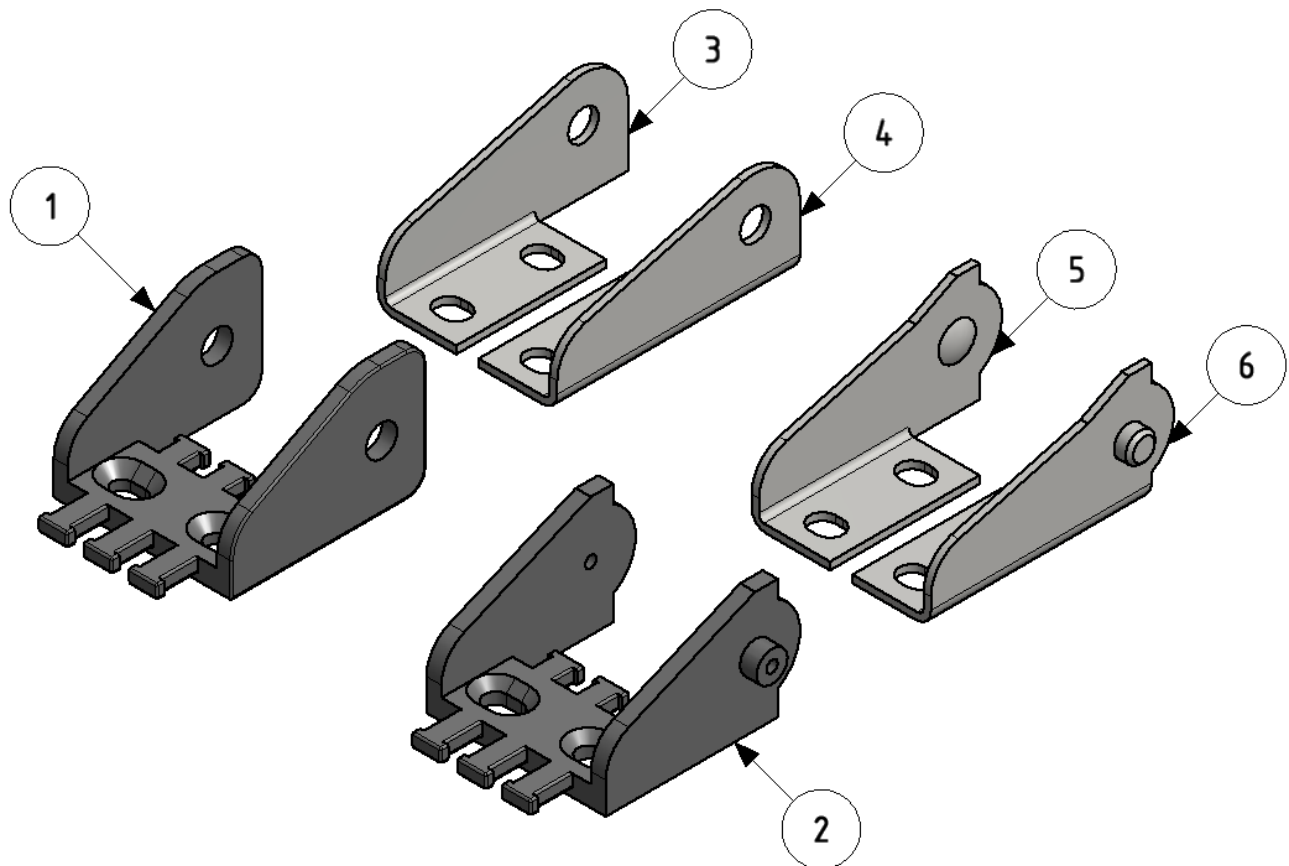


MONO 0450.X4: special types with closed frame stay

Item	Materialtext [remarks]	KR 052	KR 060	KR 075	KR 094	KR 110	KR 125	KR 150	KR 200
-	Chain 0450.24	55753							
-	Chain 0450.34	56024	56025	56026	56027	56028	56029	56030	56031
-	Chain 0450.44	56970							

Back to: [content](#)

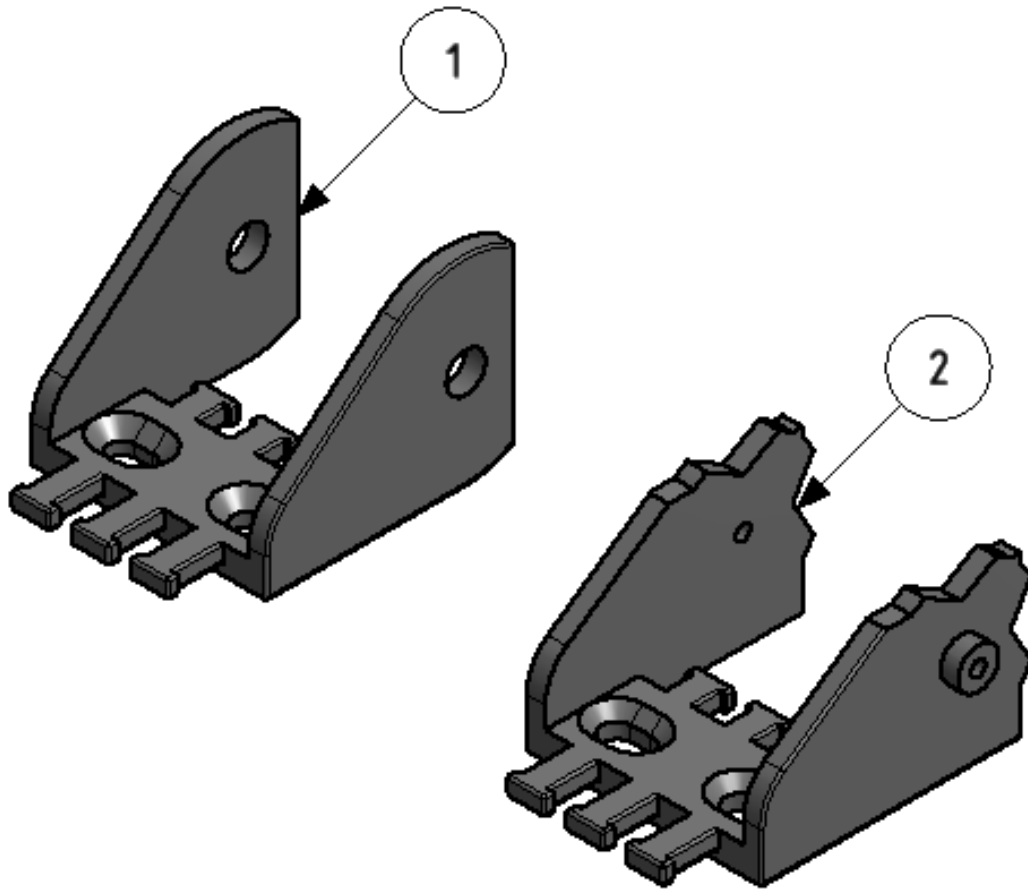
Brackets MONO 0450.X0



Item	Materialtext [remarks]	Mat.-No.
1	End piece 0450.20 wo.bolt-strain r	52328
	End piece 0450.40 wo.bolt-strain r	52330
	End piece 0450.60 wo.bolt-strain r	52332
	End piece 0450.80 wo.bolt-strain r	52334
2	End piece 0450.20 w.bolt-strain r	52329
	End piece 0450.40 w.bolt-strain r	52331
	End piece 0450.60 w.bolt-strain r	52333
	End piece 0450.80 w.bolt-strain r	52335
3	End piece 0450 without bolt L slot [steel]	55707
4	End piece 0450 without bolt R slot [steel]	55706
5	End piece 0450 with bolt L with pin [steel]	55709
6	End piece 0450 with bolt R with pin [steel]	55708

Back to: [content](#)

Brackets MONO 0450.X1/.X2/.X4



Item	Materialtext [remarks]	Mat.-No.
1	End piece 0450.21/22 wo.bolt-strain r	52336
	End piece 0450.41/42 wo.bolt-strain r	52338
	End piece 0450.61/62 wo.bolt-strain r	52340
	End piece 0450.81/82 wo.bolt-strain r	52342
2	End piece 0450.21/22 w.bolt-strain r	52337
	End piece 0450.41/42 w.bolt-strain r	52339
	End piece 0450.61/62 w.bolt-strain r	52341
	End piece 0450.81/82 w.bolt-strain r	52343

Back to: [content](#)

NO CABLE CARRIER WITHOUT TRAXLINE CABLE.



TRAXLINE

- ultraflexible cables for cable carriers
- Pre-assembled cables



More Information about Traxline at:

Traxline.de

More Informationen about TSUBAKI KABELSCHLEPP:

- Cable carrier systems
- TRAXLINE
- Conveyor systems
- Guideway protection-systems

At: **kabelschlepp.de**

TSUBAKI KABELSCHLEPP GmbH

Daimlerstraße 2

D-57482 Wenden-Gerlingen

Fon: +49 (0)2762 4003-0

Fax: +49 (0)2762 4003-220

E-Mail: info@kabelschlepp.de

TSUBAKI KABELSCHLEPP

contacts & adresses:

